



Loving music

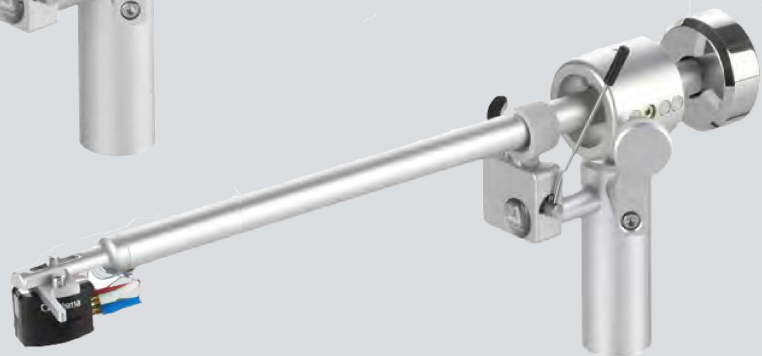
# Satisfy Kardan

User manual

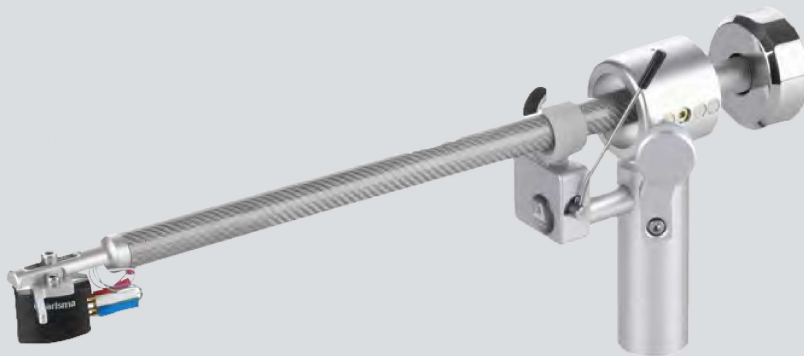
Bedienungsanleitung



**Satisfy Kardan Aluminium black**



**Satisfy Kardan Aluminium silver**



**Satisfy Kardan Carbon**



**Satisfy Kardan Signature**

**Pic. similar /  
Abb. ähnlich**



**User manual ..... 2 - 17**



**Bedienungsanleitung ..... 18 - 33**

Dear **Clearaudio** customer,

Thank you for your decision to purchase a *Satisfy Kardan* tonearm from **Clearaudio**.  
This tonearm is manufactured to the highest degree of tolerance and quality.

The *Satisfy Kardan* is available with Carbon fibre, Aluminum black or Aluminum silver tonearm tube.

This product has been developed with a focus on excellent quality, functionality and ease of use.  
Please take a moment to read this product manual to ensure correct set-up and to avoid any possible damage.

**Clearaudio** wishes you much enjoyment with your new *Satisfy Kardan* tonearm.

**Clearaudio electronic GmbH**



Loving music



## Safety instructions

### 1. General information

Check the tonearm for any damage before using it. Do not connect the tonearm if damaged!

Never connect the tonearm if it has been dropped or gotten wet, contact your dealer to have the tonearm checked.

Never expose the tonearm to rain or moisture.

The inside of the tonearm is maintenance free. Never open the case or attempt to repair the unit yourself, since this can lead to loss of warranty!

Before using the tonearm for the first time or after a long period of inactivity the lift must be operated approx. 4-5 times to loosen the grease in the tonearm lift to lower the lift bar evenly again.

Not suitable for children! Scope of delivery may contain small parts that can be swallowed.

### 2. Intended use

The *Satisfy Kardan* is a tonearm for playing music and is intended exclusively for use on turntables.

Only use the *Satisfy Kardan* tonearm in accordance with the information provided in the user manual.

### 3. Location of installation

Avoid locations with direct sunlight, temperature fluctuations and high humidity. Likewise, avoid placing electronic devices near heaters, heat lamps, or other devices that produce heat.

The device is designed for operation at room temperature.

No objects with an open flame may be placed on or near the device (burning candles or similar).

### 4. Maintenance

We recommend that you move the tonearm lift at regular intervals to keep the bearing grease supple and to prevent the tonearm from getting stuck during playback if you do not use your **Clearaudio** tonearm for a longer period.

Never use aggressive cleaning agents.

Do not use dry cloths for cleaning as this generates static electricity. Suitable cleaning and care products from **Clearaudio** are available at [www.analogshop.de](http://www.analogshop.de) or from specialist retailers.

Only use a soft cloth with a smooth surface or a soft brush for cleaning.

## 5. Health information

Permanently high volume can lead to various types of hearing damage. Use high volume responsibly!

## 6. Service

The *Satisfy Kardan* tonearm should be repaired during the guarantee period by the manufacturer only, otherwise the warranty claim expires. All **Clearaudio** products should only be serviced by specialist retailer.

If, despite the high production standard, a service is necessary, the *Satisfy Kardan* tonearm must be send to **Clearaudio** through your dealer.

## 7. Transport

Use the original packing material for further transportation of the *Satisfy Kardan* tonearm, otherwise serious damage could occur.

Be sure to pack the device exactly as it was shipped.  
Safe transport is only guaranteed in the original packaging.

Proceed in reverse as described for assembly when packing.

## 8. Disposal



Do not dispose this product together with other waste.  
WEEE Reg. No.: DE26004446

## 9. CE Marking



This electronic product corresponds to the applicable guidelines for obtaining the CE mark.



## Contents

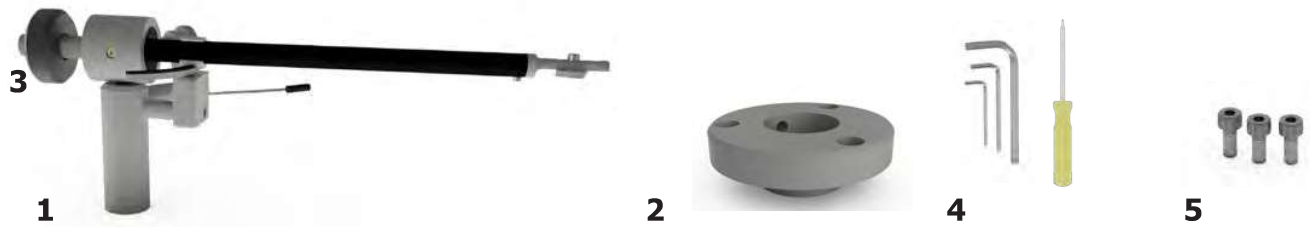
|   |                |
|---|----------------|
| <b>1. List of components .....</b>  | <b>6</b>       |
| <b>2. Mounting the tonearm base</b>   |                |
| 2.1 Mounting the tonearm base on the Clearaudio Performance DC or Ovation turntable ..... | 7              |
| 2.2 Mounting the clamping ring on a other manufacturers' turntables.....                  | 8              |
| <b>3. Mounting the <i>Satisfy Kardan</i> tonearm .....</b>                                | <b>9</b>       |
| <b>4. Adjustment of the distance between spindle and pivot point .....</b>                | <b>10</b>      |
| <b>5. Adjustment of the tonearm .....</b>   | <b>10</b>      |
| 5.1 Adjustment of the VTA .....   | 11             |
| 5.2 Alignment and adjustment of the cartridge .....                                       | 12             |
| 5.3 Adjustment of the tracking force.....   | 13             |
| 5.4 Adjustment of the azimuth.....  | 14             |
| 5.5 Adjustment of the anti-skating .....  | 15             |
| <b>6. Troubleshooting .....</b>   | <b>16</b>      |
| <b>7. Technical details.....</b>  | <b>17</b>      |
| <b>Warranty information.....</b>  | <b>34 - 35</b> |

## 1. List of components

The **Clearaudio Satisfy Kardan** tonearm is delivered in a customized packing to ensure its safe transport.

Please retain the original packaging for any future potential transportation and shipping.

Please see the list below to check the contents of your **Clearaudio Satisfy Kardan** tonearm.



**Pic. 1:** Package content (Pic. similar)

|           |   |           |  |
|-----------|---|-----------|--|
| <b>1.</b> | <i>Satisfy Kardan</i> tonearm                                 | <b>5.</b> | Screws:<br>- 3 x hex screw M4 x 10<br>- 1 x grub screw M6 x 8 (not shown)                  |
| <b>2.</b> | <b>Clearaudio</b> tonearm base                                | <b>6.</b> | Paper tonearm alignment (not shown)  |
| <b>3.</b> | <i>Satisfy Kardan</i> counterweight<br>(not pre-mounted)      | <b>7.</b> | User manual, Quality Certificate,<br>Warranty card and return delivery note<br>(not shown) |
| <b>4.</b> | Hex wrench:<br>- # 1.5<br>- # 2.5<br>- # 3<br><br>Screwdriver |           |  |

Recommended Tools:

- **Clearaudio** Cartridge alignment gauge (Art. No. AC005/IEC)
- **Clearaudio** Weight Watcher touch (Art. No. AC163)
- **Clearaudio** Mini Level Gauge (Art. No. AK001)

This items and more accessories are available through your dealer or at [www.analogshop.de](http://www.analogshop.de).

## 2. Mounting the tonearm base

### 2.1 Mounting the tonearm base on the Clearaudio Performance DC or Ovation turntable

Please check if the correct tonearm base is mounted on your turntable (Pic. 2).

If the wrong tonearm base is mounted place the turntable on the edge of a table or similar surface to gain access to the tonearm base from below.

Remove the tonearm base by loosening the six M4 x 35mm screws with a hex wrench on the bottom side of the clamping ring.

Exchange the tonearm base and loosely tighten the screws to keep the tonearm base rotatable. Please ensure the perfect location of the base.



**Pic. 2:** Tonearm base for Performance DC & Ovation (Art. No. AC031-4)

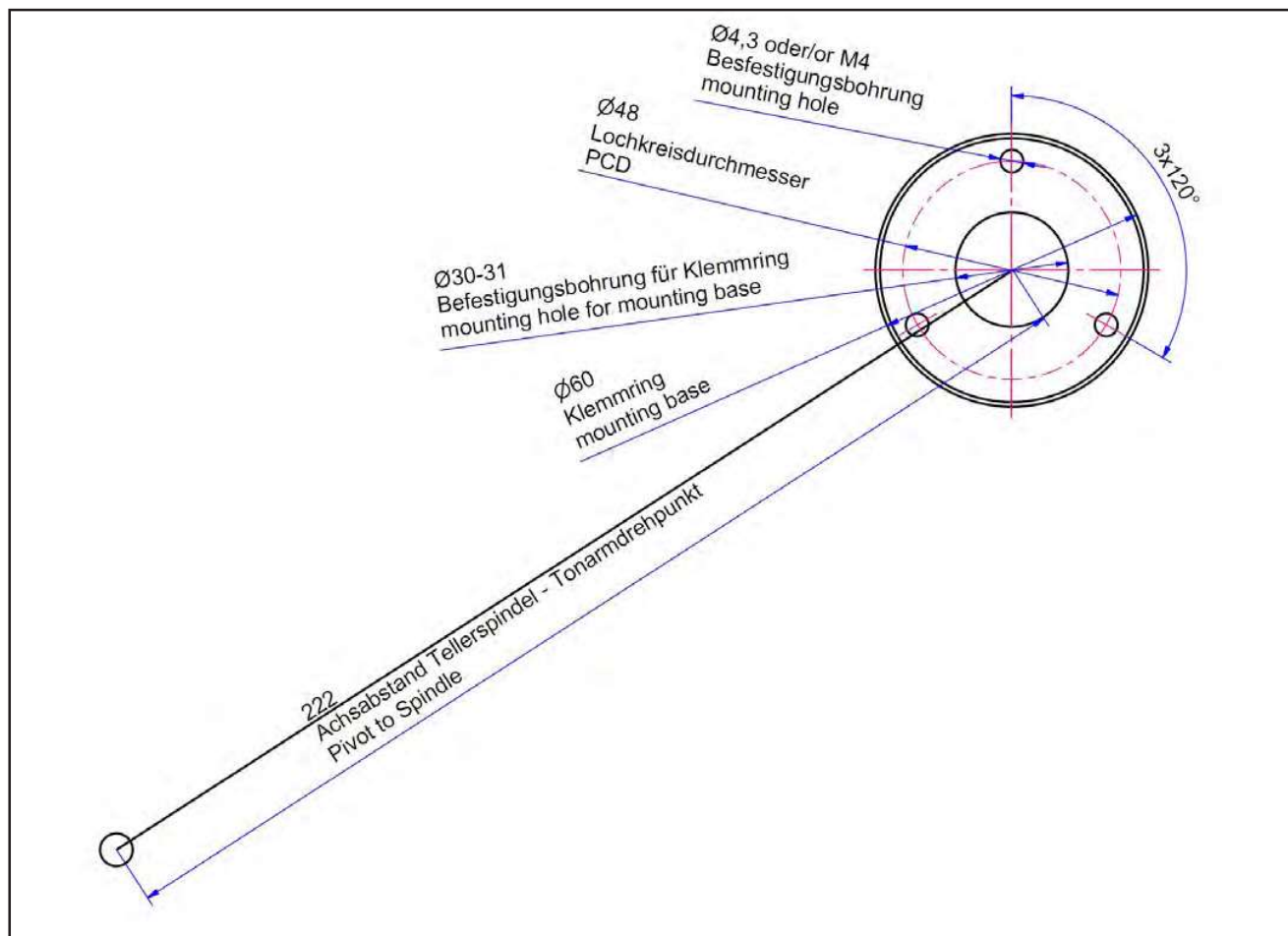
## 2.2 Mounting the clamping ring on a other manufacturers' turntables

Drill three holes into the turntable chassis to mount the aluminium clamping ring.

Use the measurements given in the drawing template below to ensure the correct position of the three holes (Pic. 3).

Use a 3.3mm drill for this step. After you have drilled the three holes, thread the holes using an appropriate tap cutter. If the material of the turntable chassis is not suitable for threading, please use a 4.5mm drill for the holes. In this case, you will need longer screws with nuts to fit the tonearm base.

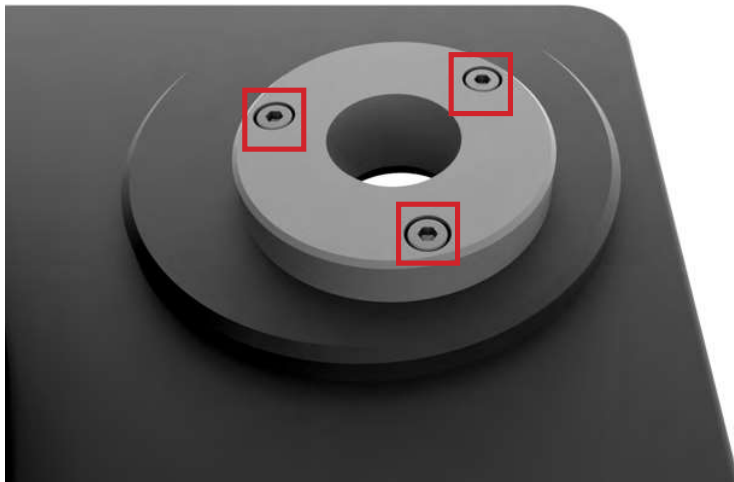
**Please note that this image is not true to scale.**



**Pic. 3:** Drilling template for mounting the tonearm base on a other manufacturers' turntable



### 3. Mounting the *Satisfy Kardan* tonearm



**Pic. 4:** Mount tonearm base

Take the clamping ring and place it on the recess in the tonearm base.

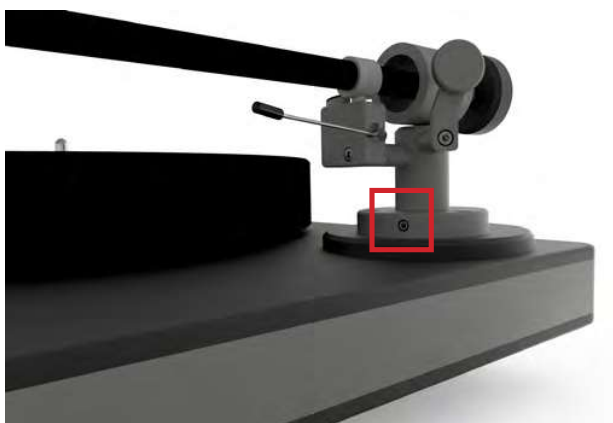
Now you can attach the clamping ring to the tonearm base with the 3 supplied M4 x 10 screws.

Make sure that the side hole of the clamping ring remains accessible (see Pic. 4).



**Pic. 5:** Putting the tonearm through the armboard

First insert the tonearm cable and then the tonearm foot of the *Satisfy Kardan* tonearm into the hole of the clamping ring (Pic. 5).



**Pic. 6:** Securing the tonearm

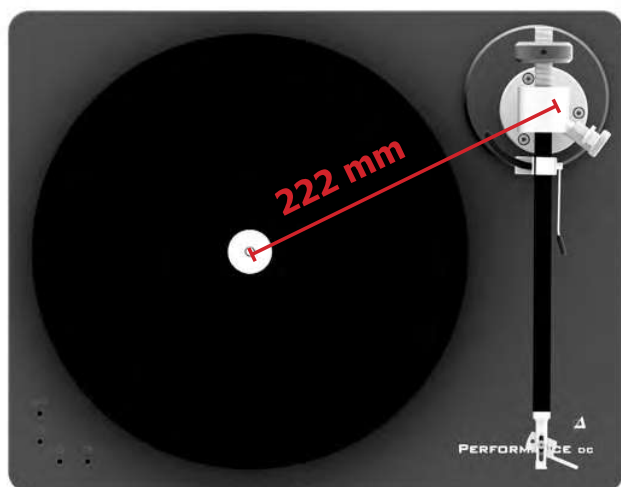
Now fix the tonearm with the screws and the hex wrench. Do not over-tighten for later adjustments (Pic. 6)!

## 4. Adjustment of the distance between spindle and pivot point

We recommend to use the **Clearaudio** alignment gauge (Art. No. AC005/IEC, also available from [www.analogshop.de](http://www.analogshop.de)) for the exact setting of the tonearm pivot point.

Make sure that the distance between spindle and the pivot point of the tonearm is exactly 222mm. You can adjust the distance by rotating the tonearm base.

Please tighten the tonearm base and check the measurement again after adjustment.




**Pic. 7:** Distance from pivot to stylus

## 5. Adjustment of the tonearm

The following settings require to mount the cartridge on the headshell. Always follow the cartridge manufacturer's instructions.

**Leave the stylus protector on your cartridge to avoid any damages!**



Now you can connect the respective signal cable with the matching color pins of the cartridge. Please note the following colour coding:

|               |                    |
|---------------|--------------------|
| <b>Red:</b>   | right channel / R+ |
| <b>Green:</b> | right channel / R- |
| <b>White:</b> | left channel / L+  |
| <b>Blue:</b>  | left channel / L-  |

**Pic. 8:** Mounting the cartridge

The diagram shows a close-up of a cartridge being mounted onto a headshell. A silver hex key is used to tighten a screw on the headshell. The cartridge has four colored pins (red, green, white, blue) protruding from its side.

Connect the pins of your cartridge to the jacks of the tonearm cable, taking care not to use too much force.

Use suitable precision pliers or tweezers for assistance if necessary.

## 5.1 Adjustment of the VTA

The tonearm remains loose in the clamping ring and is not screwed tight. Now place a record or the **Clearaudio** alignment gauge (Art. No. AC005/IEC) on the turntable and remove the stylus protector from your cartridge.

Make sure the tracking force is roughly adjusted to avoid damage to the cartridge.

**Please be extremely careful during the following steps!  
Never move the cartridge in the alignment gauge while it is lowered.**

Use the lift to lower the tonearm and check if the tonearm tube is parallel to the platter.

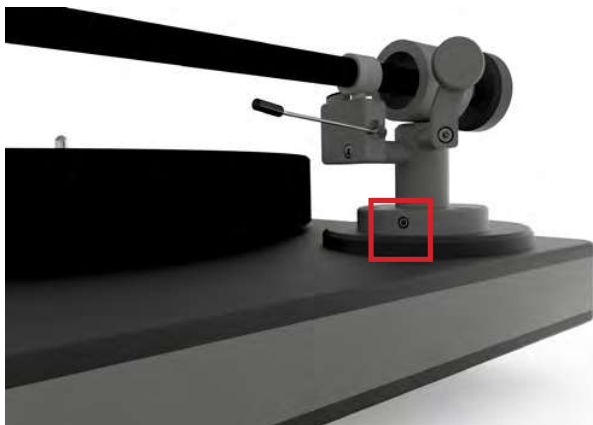
The tonearm tube should not touch the lift bracket, but the needle must rest on the record or the alignment gauge.

Put the tonearm tube back in the rest position if the tonearm tube is not parallel and shows a slight incline.

Now carefully lower/raise the entire tonearm in the clamping ring until the tonearm tube is parallel to the platter.

Hand-tighten the clamping ring while the tonearm is in this position.

Put the tonearm back in the rest position holder and add the stylus protector if the position is still correct.



**Pic. 9:** Adjustment of the tonearm height

## 5.2 Alignment and adjustment of the cartridge



**Pic. 10:** Alignment of the tonearm

### 5.2 Alignment and adjustment of the cartridge

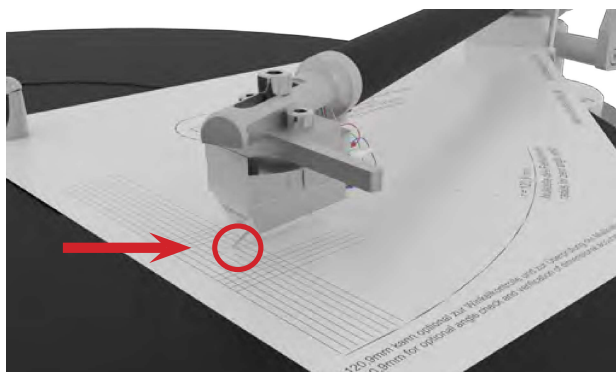
Use the adjustment template, included in the scope of the delivery for the final tonearm and cartridge adjustment.

Place it directly on the turntable (without record) and align it with the arrow pointing toward the tonearm pivot point (Pic. 10).



**Pic. 11:** The tonearm tube must be absolutely parallel

Take the tonearm out of the rest position and align it in the area of the cross lines. Lower the tonearm and check the alignment.



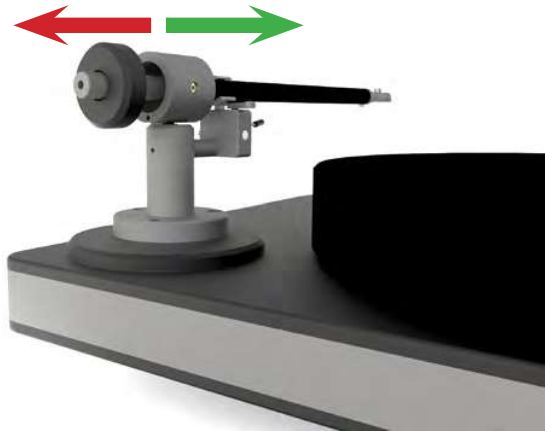
**Pic. 12:** Stylus tip on reference point

The cartridge body must be aligned in the template grid and the needle tip should be located in the cross lines.

Also, the side and front edges of the housing have to be parallel to the grid lines. To correct the adjustment, loosen the screws of the cartridge to move the cartridge in the headshell.

Re-check the setting again after you have tightened the screws.

### 5.3 Adjustment of the tracking force



Turn the counter weight at the end of the tonearm to increase or lower the tracking force.

Caution: Please hold the tonearm tube while rotating the counterweight to avoid any damages.

**Pic. 13:** Adjustment of the tracking force

**Red arrow (to the end of the tonearm)  
= lower tracking force -> turn the counter weight anti-clockwise (left)**

**Green arrow (to the beginning of the tonearm)  
= more tracking force -> turn the count weight clockwise (right)**

Please follow the instructions of the respective cartridge manufacturer.

We recommend using the **Clearaudio** „Weight Watcher touch“ digital cartridge scale (Art. No. AC163, also available at [www.analogshop.de](http://www.analogshop.de)) for the correct setting.

#### 5.4 Adjustment of the azimuth

The azimuth is the angle of the cartridge stylus to the record surface. Viewed from the front, the cartridge needle has to be vertical to the record.

**Please note: The azimuth is already set at the factory.**

Lower the cartridge onto the record surface and check the position of the needle if you still want to optimize the azimuth.

Please proceed as following to change the azimuth:

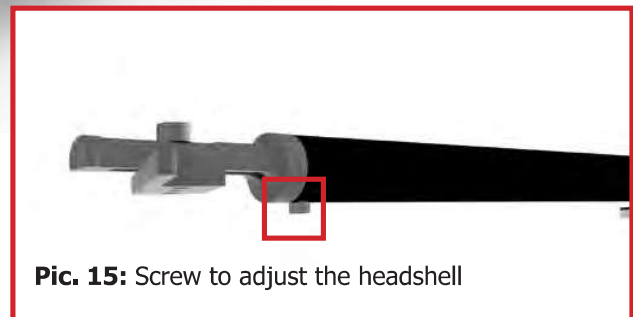
Loosen the screw (hex wrench #2) on the bottom side of the tonearm tube near the headshell. Now you can adjust the azimuth by turning the headshell in the tonearm tube.

Carefully tighten the small hex screw again without changing the previously selected position.

We recommend the "Mini Level Gauge" from **Clearaudio** (Art.No.: AK001; also available from [www.analogshop.de](http://www.analogshop.de)) to check the adjustment.



**Pic. 14:** Azimuth adjustment



**Pic. 15:** Screw to adjust the headshell

### 5.5 Adjustment of the anti-skating

This adjustment depends on the tracking force of your cartridge.

Please follow the instructions of the respective cartridge manufacturer.

| <u>alignment of the antiskating</u> | <u>tracking force</u> | <u>position of the antiskating screw</u> |
|-------------------------------------|-----------------------|--|
| minimal antiskating                 | >> 10 – 15mN          | >> see illustration 1                    |
| medium antiskating                  | >> 15 – 20mN          | >> see illustration 2                    |
| maximum antiskating                 | >> 20mN and more      | >> see illustration 3                    |



Illustration 1  
(minimal antiskating)

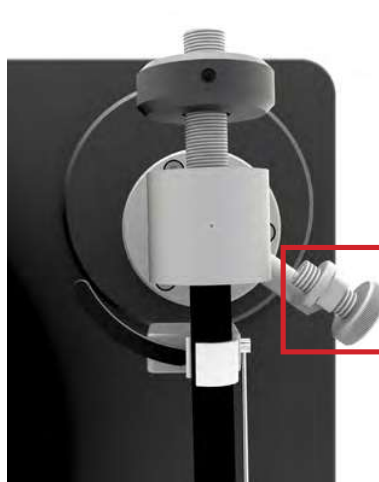


Illustration 2  
(medium antiskating)



Illustration 3  
(maximum antiskating)

**Pic. 16:** Alignment of the antiskating

### The tonearm adjustment is now completed.

We recommend to re-check all settings again and correct them if necessary before connecting the tonearm to your phono pre-amplifier.

We hope you enjoy your new *Satisfy Kardan* tonearm.  
Your **Clearaudio** team

## 6. Troubleshooting

First check the possible causes to rule out incorrect operation if you have a problem with your *Satisfy Kardan* tonearm.

Please contact your dealer if the error persists!

**Never try to open the unit and/or repair it yourself, this will void the warranty!**

| Error  | Cause   | Measure  |
|--|---|--|
| <b>Needle bounces or slides across record</b>            | Is the record or the stylus dirty or damaged?   | Clean the record / or the cartridge. <b>Clearaudio</b> offers many helpful accessories for care and cleaning. In the event of damage, we recommend an assessment by a specialist and, if necessary, an exchange. |
|  | Has the tracking force been set too high?   | Adjust the tracking force. Use only a suitable gauge! For example <b>Clearaudio</b> „Weight Watcher touch“ or „Smart Stylus Gauge“.  |
|  | Is the record deformed or scratched?  | Use a record clamp or replace the record.  |
|  | Is the turntable leveled?   | Check the alignment of the turntable and adjust if necessary.  |
| <b>Tonearm lift does not lower or lowers very slowly</b> | The tonearm has not been used for a long time, which means that the greas in the tonearm lift can harden and lower with difficulty. | Operate the lift about 4-5 times to loosen the grease in the tonearm lift and the lift bar will lower evenly again.  |





## 7. Technical details

|  | <b>Aluminum silver<br/>Aluminum black</b>   | <b>Carbon</b>  | <b>Signature</b>  |
|--|---|--|---|
| <b>Construction details:</b>                                     | Radial tonearm<br>With magnetic<br>antiskating  | Radial tonearm<br>With magnetic<br>antiskating                                     | Radial tonearm<br>With magnetic<br>antiskating                                      |
| <b>Material:</b>   | Aluminium (black/silver),<br>stainless steel, tonearm<br>tube made of aluminium<br>(black/silver) | Aluminium (silver),<br>stainless steel, tonearm<br>tube made of carbon<br>(silver) | Aluminium (black),<br>stainless steel, tonearm<br>tube made of aluminium<br>(black) |
| <b>Cartridge<br/>balance range:</b>                              | 2.5g - 17.0g  | 2.5g - 17.0g   | 2.5g - 17.0g  |
| <b>Overhang:</b>   | 17.12mm   | 17.12mm  | 17.12mm   |
| <b>Total length:</b>   | 305.00mm  | 305.00mm   | 305.00mm  |
| <b>Effective<br/>length:</b>                                     | 239.12mm  | 239.12mm   | 239.12mm  |
| <b>Mounting<br/>distance<br/>(tonearm pivot<br/>to spindle):</b> | 222.00mm  | 222.00mm   | 222.00mm  |
| <b>Offset angle:</b>   | 24.02°  | 24.02°   | 24.02°  |
| <b>Wiring:</b>   | 1.1m <b>Clearaudio</b> Direct<br>Wire PLUS terminated<br>with RCA                                 | 1.1m <b>Clearaudio</b> Direct<br>Wire PLUS terminated<br>with RCA                  | 1.1m <b>Clearaudio</b> Direct<br>Wire PLUS terminated<br>with RCA                   |
| <b>Weight:</b>   | Approx. 490g<br>(incl. counterweight)   | Approx. 480g<br>(incl. counterweight)  | Approx. 480g<br>(incl. counterweight)   |
| <b>Manufacturer's<br/>warranty:</b>                              | 2 years*  | 2 years*   | 2 years*  |

\* Provided that the warranty card is correctly completed and returned to **Clearaudio**, or your product is registered online at <https://clearaudio.de/en/service/registration.php>, within 14 days of purchase.

## User manual / Bedienungsanleitung

The full, extended warranty period for the *Satisfy Kardan* tonearm is 2 years. To receive this full **Clearaudio** warranty, you must either complete and return the relevant section of the warranty registration card to **Clearaudio**, or register your product online at <https://clearaudio.de/en/service/registration.php>, within 14 days of purchase.

Otherwise only the legal warranty can be considered.

The full 2 year warranty can only be honoured if the product is returned in its original packing.

Um die volle **clearaudio** Garantie (für *Satisfy Kardan* 2 Jahre) in Anspruch nehmen zu können, senden Sie uns bitte die beigelegte Garantiekarte innerhalb von zwei Wochen korrekt und vollständig ausgefüllt zu oder registrieren Sie die Garantie online unter <https://clearaudio.de/de/service/registration.php>, da sonst nur die gesetzliche Gewährleistung berücksichtigt werden kann. Nur wenn das Produkt in der Originalverpackung zurückgeschickt wurde kann **clearaudio** die Garantiezeit von 2 Jahren gewährleisten.



### ENGLISH WARRANTY

For warranty information, contact your local **Clearaudio** distributor.

#### RETAIN YOUR PURCHASE RECEIPT

Your purchase receipt is your permanent record of a valuable purchase. It should be kept in a safe place to be referred to as necessary for insurance purposes or when corresponding with **Clearaudio**.

#### IMPORTANT

When seeking warranty service, it is the responsibility of the consumer to establish proof and date of purchase. Your purchase receipt or invoice is adequate for such proof.

FOR U.K. ONLY

This undertaking is in addition to a consumer's statutory rights and does not affect those rights in any way.



### FRANÇAIS GARANTIE

Pour des informations sur la garantie, contacter le distributeur local **Clearaudio**.

#### CONSERVER L'ATTESTATION D'ACHAT

L'attestation d'achat est la preuve permanente d'un achat de valeur. La conserver en lieu sûr pour s'y reporter aux fins d'obtention d'une couverture d'assurance ou dans le cadre de correspondances avec **Clearaudio**.

#### IMPORTANT

Pour l'obtention d'un service couvert par la garantie, il incombe au client d'établir la preuve de l'achat et d'en corroborer la date. Le reçu ou la facture constituent des preuves suffisantes.



### DEUTSCH GARANTIE

Bei Garantiefragen wenden Sie sich bitte zunächst an Ihren **Clearaudio** Händler. Heben Sie Ihren Kaufbeleg gut auf.

#### WICHTIG!

Die Angaben auf Ihrer Quittung erlauben uns die Identifizierung Ihres Gerätes und belegen mit dem Kaufdatum die Dauer Ihrer Garantie-Ansprüche. Für Serviceleistungen benötigen wir stets die Gerätenummer. Diese finden Sie auf dem Typenschild auf der Rückseite des Gerätes oder auch in der beigelegten Garantie-Registrierkarte.



### NEDERLANDS GARANTIE

Voor inlichtingen omtrent garantie dient u zich tot uw plaatselijke **Clearaudio**.

#### UW KWITANTIE, KASSABON E.D. BEWAREN

Uw kwitantie, kassabon e.d. vormen uw bewijs van aankoop van een waardevol artikel en dienen op een veilige plaats bewaard te worden voor evt, verwijzing bijv, in verbend met verzekering of bij correspondentie met **Clearaudio**.

#### BELANGRIJK

Bij een evt, beroep op de garantie is het de verantwoordelijkheid van de consument een gedateerd bewijs van aankoop te tonen. Uw kassabon of factuur zijn voldoende bewijs.



Loving music

## User manual / Bedienungsanleitung



### **ITALIANO GARANZIA**

L'apparecchio è coperto da una garanzia di buon funzionamento della durata di un anno, o del periodo previsto dalla legge, a partire dalla data di acquisto comprovata da un documento attestante il nominativo del Rivenditore e la data di vendita. La garanzia sarà prestata con la sostituzione o la riparazione gratuita delle parti difettose. Non sono coperti da garanzia difetti derivanti da uso improprio, errata installazione, manutenzione effettuata da personale non autorizzato o, comunque, da circostanze che non possano riferirsi a difetti di funzionamento dell'apparecchio. Sono inoltre esclusi dalla garanzia gli interventi inerenti l'installazione e l'allacciamento agli impianti di alimentazione.

Gli apparecchi verranno riparati presso i nostri Centri di Assistenza Autorizzati. Le spese ed i rischi di trasporto sono a carico del cliente. La casa costruttrice declina ogni responsabilità per danni diretti o indiretti provocati dalla inosservanza delle prescrizioni di installazione, uso e manutenzione dettagliate nel presente manuale o per guasti dovuti ad uso continuato a fini professionali.



### **ESPAÑOL GARRANTIA**

Para obtener información acerca de la garantía póngase en contacto con su distribuidor **Clearaudio**.

#### **GUARDE SU RECIBO DE COMPRA**

Su recibo de compra es su prueba permanente de haber adquirido un aparato de valor, Este recibo deberá guardarlo en un lugar seguro y utilizarlo como referencia cuando tenga que hacer uso del seguro o se ponga en contacto con **Clearaudio**.

#### **IMPORTANTE**

Cuando solicite el servicio otorgado por la garantía el usuario tiene la responsabilidad de demostrar cuándo efectuó la compra. En este caso, su recibo de compra será la prueba apropiada.



Loving music

### **clearaudio electronic GmbH**

Spardorfer Straße 150  
91054 Erlangen  
Germany

Phone /Tel.: +49 9131 40300 100

Fax: +49 9131 40300 119

[www.clearaudio.de](http://www.clearaudio.de)

[www.analogshop.de](http://www.analogshop.de)

[info@clearaudio.de](mailto:info@clearaudio.de)



### **Handmade in Germany**

**Clearaudio Electronic** accepts no liability for any misprints.

Technical specifications are subject to change or improvement without prior notice.

Product availability is as long as astock lasts.

Copies and reprints of this document, including extracts, require written consent from

**Clearaudio Electronic GmbH, Germany.**

Änderungen bleiben vorbehalten. Lieferbar solange Vorrat reicht. Für Druckfehler keine Haftung.  
Irrtümer vorbehalten- Kopien und Abdrucke – auch nur auszugsweise – bedürfen der schriftlichen  
Genehmigung durch die **clearaudio electronic GmbH.**

**2024**