



Loving music

# Performance DC

## User manual



**Black with black chassis**



**Black with silver chassis**



**Silver with silver chassis**



**Silver with black chassis**



**Silver with wood chassis**



**Black with wood chassis**

**Pic. similar**

## User manual

Dear **Clearaudio** customer,

You have purchased a State-Of-The-Art turntable, the *Performance DC*, a world class product of **Clearaudio** electronic GmbH. Congratulations on your purchase!

The main chassis consists of a complex sandwich of materials: aluminium and HDF material. The powerful and smooth-running DC motor is integrated within and is effectively decoupled by the main chassis.

The motor is hidden beneath the platter and drives the precision machined aluminium sub-platter via a precision machined POM main platter are supported by **Clearaudio's** patented *CMB Ceramic Magnetic Bearing*.

The drive system is operated by four blue illuminated buttons, ergonomically integrated into the front left of the chassis. Almost any commercially available 9 inch tonearm can be fitted by virtue of the easily interchangeable armboards.

Please read this user manual carefully so that you can enjoy all the advantages of your *Performance DC* turntable. All information given will help to generate the best performance and avoid any possible damages.

We hope you will enjoy your new **Clearaudio** *Performance DC* turntable.

**Clearaudio** electronic GmbH

Please read the warnings before connecting your Performance DC turntable to the mains supply.



## Safety instructions

### 1. General information

Check the turntable for any damage before using it. Do not connect the turntable if damaged!

Never connect the turntable if it has been dropped or gotten wet, contact your dealer to have the turntable checked.

Never expose the turntable to rain or moisture.

Never touch the power cord of the device with wet hands.

Regular visual inspections for defective insulation on the connection cable are also recommended for your own safety. A damaged cable should be replaced immediately by a specialist!

Never pull on the power cord to unplug the device. Always pull directly on the plug!

The inside of the turntable is maintenance free. Never open the case or attempt to repair the unit yourself, since this can lead to loss of warranty!

We recommend disconnecting the power supply from the mains if you do not operate the device for a longer period of time.

The turntable does not feature an automatic shut-off mechanism.

Therefore, as soon as the stylus has reached the run-out groove, engage the tonearm lift and switch the turntable off.

Not suitable for children! Scope of delivery may contain small parts that can be swallowed.

### 2. Intended use

The *Performance DC* is a turntable for playing records.

The intended use of the *Performance DC* in accordance with the information provided in the user manual only.

The power supply may only be operated with maximum permissible connection values according to the technical data. Any other use or modification of this product is not intended.

### 3. Location of installation

Avoid locations with direct sunlight, temperature fluctuations and high humidity.

Likewise, avoid placing electronic devices near heaters, heat lamps, or other devices that produce heat.

The device is designed for operation at room temperature.

No objects with an open flame may be placed on or near the device (burning candles or similar).

### 4. Overload

The product is designed to comply with all necessary safety regulations. However, you should not leave the device unattended under extreme loads.

### 5. Maintenance

Never use aggressive cleaning detergent.

Do not use dry cloths for cleaning as this generates static electricity. Suitable cleaning and care products from **Clearaudio** are available from [www.analogshop.de](http://www.analogshop.de) or from specialist retailers.

The bearing of the turntable platter can be lubricated every 2 years with the oil provided.

Put 1 or 2 drops of the oil into the bearing for lubrication.

## 6. Health information

Permanently high volume can lead to various types of hearing damage. Use high volume responsibly!

## 7. Service

The *Performance DC* turntable should be repaired during the guarantee period by the manufacturer only, otherwise the warranty claim expires. All **Clearaudio** products should only be serviced by specialist retailers.

If, despite the high production standard, a service is necessary, the *Performance DC* turntable must be send to **Clearaudio** through your dealer.

## 8. Transport

Use the original packing material for further transportation of the *Performance DC* turntable, otherwise serious damage could occur.

Be sure to pack the device exactly as it was shipped.  
Safe transport is only guaranteed in the original packaging.

Proceed in reverse as described for assembly when packing.

Always remove the turntable platter and replace the foam securing the sub-platter and cover the bearing with tape as well. Otherwise serious damage can occur.

Remove also the pulley from the motor axle to avoid any damage during transport.

**Clearaudio** assumes no liability for any damage that may occur due to incorrect packing.

## 9. Disposal



Do not dispose this product together with other waste.  
WEEE Reg. No.: DE26004446

## 10. CE Marking



This electronic product corresponds to the applicable guidelines for obtaining the CE mark.



## Contents

<b>1. Packaging overview .....</b>	<b>6</b>
<b>2. Setup and operation .....</b>	<b>7 - 13</b>
<b>3. Troubleshooting .....</b>	<b>14 - 15</b>
<b>4. Technical data .....</b>	<b>16</b>
<b>Warranty information.....</b>	<b>17 - 18</b>

## 1. Packaging overview

The **Clearaudio Performance DC** turntable is delivered in specially designed custom packaging.

Please check the contents according to the following list before you set up your new **Clearaudio Performance DC** turntable.

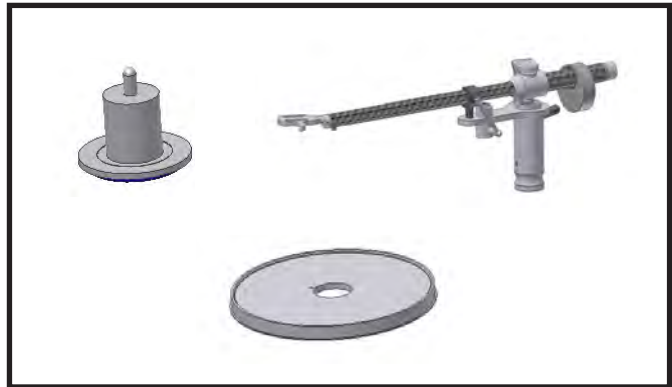
### 1. Layer (top):

**Top of bearing, belt, fittings and accessories (Quality and warranty card, bearing oil, hex keys, grounding wire)**

**sub-platter, power supply**

**If ordered as set:**

**Tonearm and/or pickup**



### 2. Layer (middle):

**Turntable chassis**



### 3. Layer (bottom):

**Platter**



**Pic. 1:** Packaging overview

**IMPORTANT NOTICE:** Please double check the tightness of all bolts and armboard mounting hardware, as temperature fluctuations during transit may have caused the hardware to become loose.

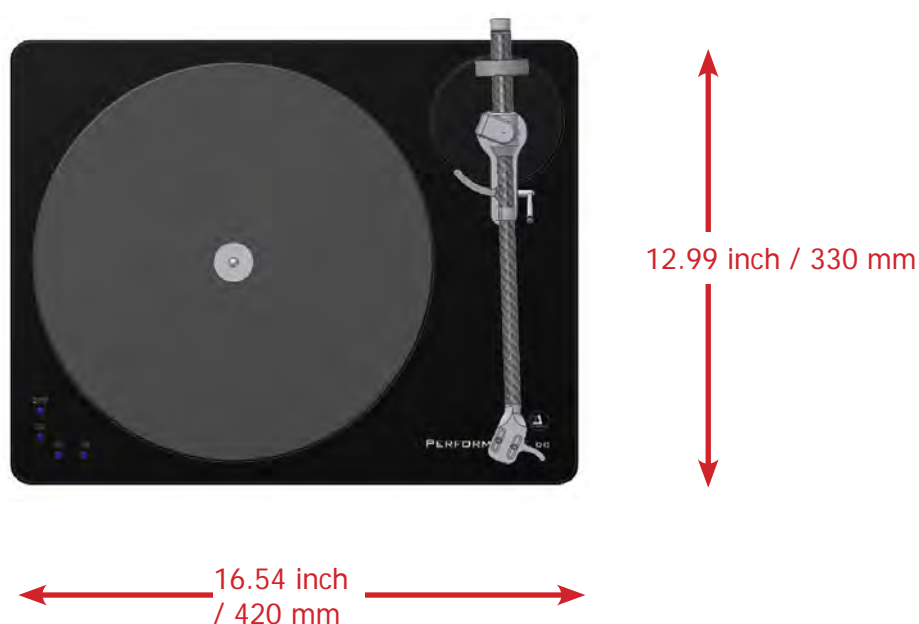
## 2. Setup and operation

The *Performance DC* turntable consists of several components, as described in No 1 (Packaging overview).

The setup is easy, as some of the components are pre-assembled at the factory. Please make use of the white gloves enclosed in order to avoid scratches or unwanted fingerprints (e.g. on the platter).

Please follow the instructions step by step:

The *Performance DC* requires a space of at least 16.54 x 12.99 inches for positioning.



**Pic. 2:** Setting up space

## 2.1

Place the pre-mounted chassis on your hifi-rack or another suitable surface.



**Pic. 3:** *Performance DC* chassis

## 2.2

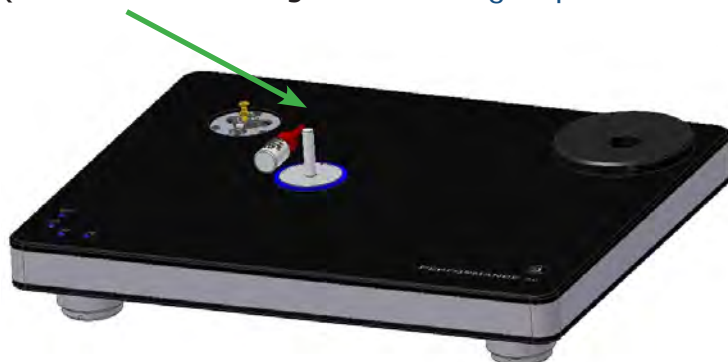
To avoid hum noises we recommend to ground the bearing. For that attach the supplied grounding wire to the the existing screw on the bottom side of the chassis (#2.5).



**Pic. 4:** Grounding the bearing of the *Performance DC*

## 2.3

Please remove the protective seal from the bearing shaft and place two drops of the synthetic bearing oil on the ceramic bearing shaft. Slip the bearing top onto the bearing shaft of the turntable (also available through [www.analogshop.de](http://www.analogshop.de) Art. No. AC068).



**Pic. 5:** Bearing oil



## 2.4

Now you can set the bearing upper part carefully onto the bearing. To avoid damages make sure you slide the bearing upper part slowly and carefully on the polished ceramic shaft.



**Pic. 6:** Fitting the bearing upper part

## 2.5

Now you can set the sub-platter carefully onto the bearing (see Pic. 7). To avoid any damage, make sure you slide the sub-platter slowly and carefully onto the bearing.

After that, take the included belt and place it around the motor and the sub-platter (see Pic. 7.1). At this point the sub-platter will be higher than the pulley. This is normal, as the CMB requires the weight of the platter to fully engage it.



**Pic. 7:** Setting the sub-platter



**Pic. 7.1:** Placing the belt

## 2.6

Now you can set the platter carefully onto the bearing. To avoid damage, make sure you slide the platter slowly and cautiously on the sub-platter/ bearing assembly. Hold the platter securely, so the platter does not slip or fall on your turntable.



**Pic. 8:** Setting the platter onto the bearing

## 2.7

Please check with the bubble level gauge, if your *Performance DC* turntable is in a level position.

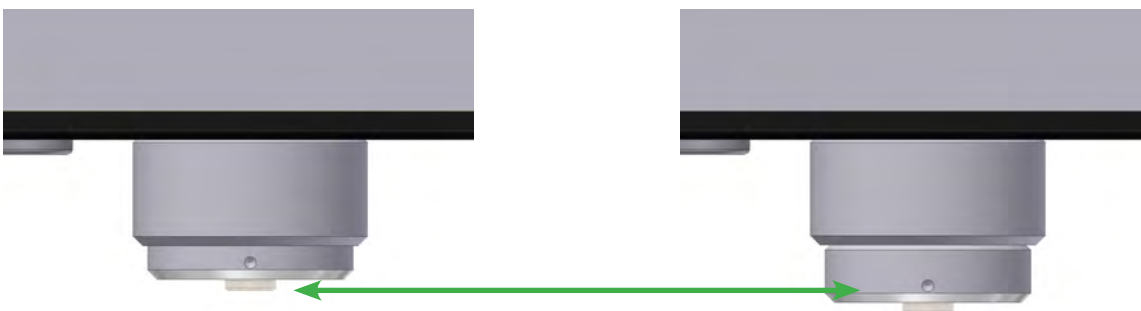
You can adjust each of the turntable's feet to get the turntable level. Only if the turntable is in a level position you will get the best results with your turntable.

Please note:

Through turning the feet clockwise you will raise the turntable, by turning counter clockwise the turntable will lower.



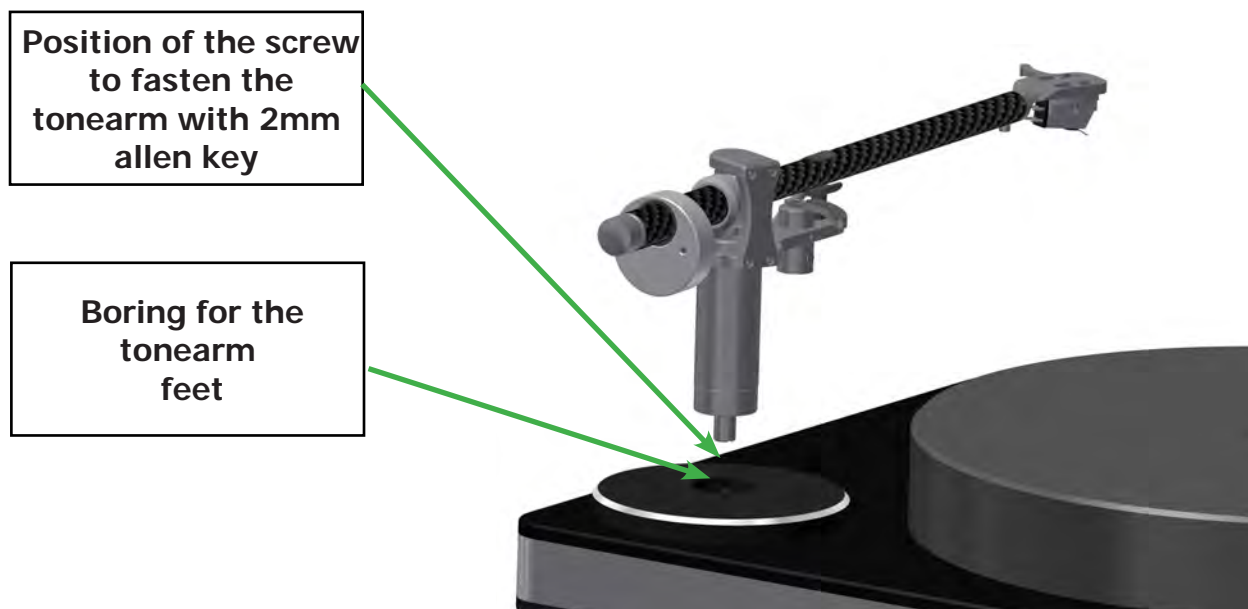
**Pic. 9:** Adjustment of the level position



**Pic. 9.1:** Adjustment of the height

## 2.8

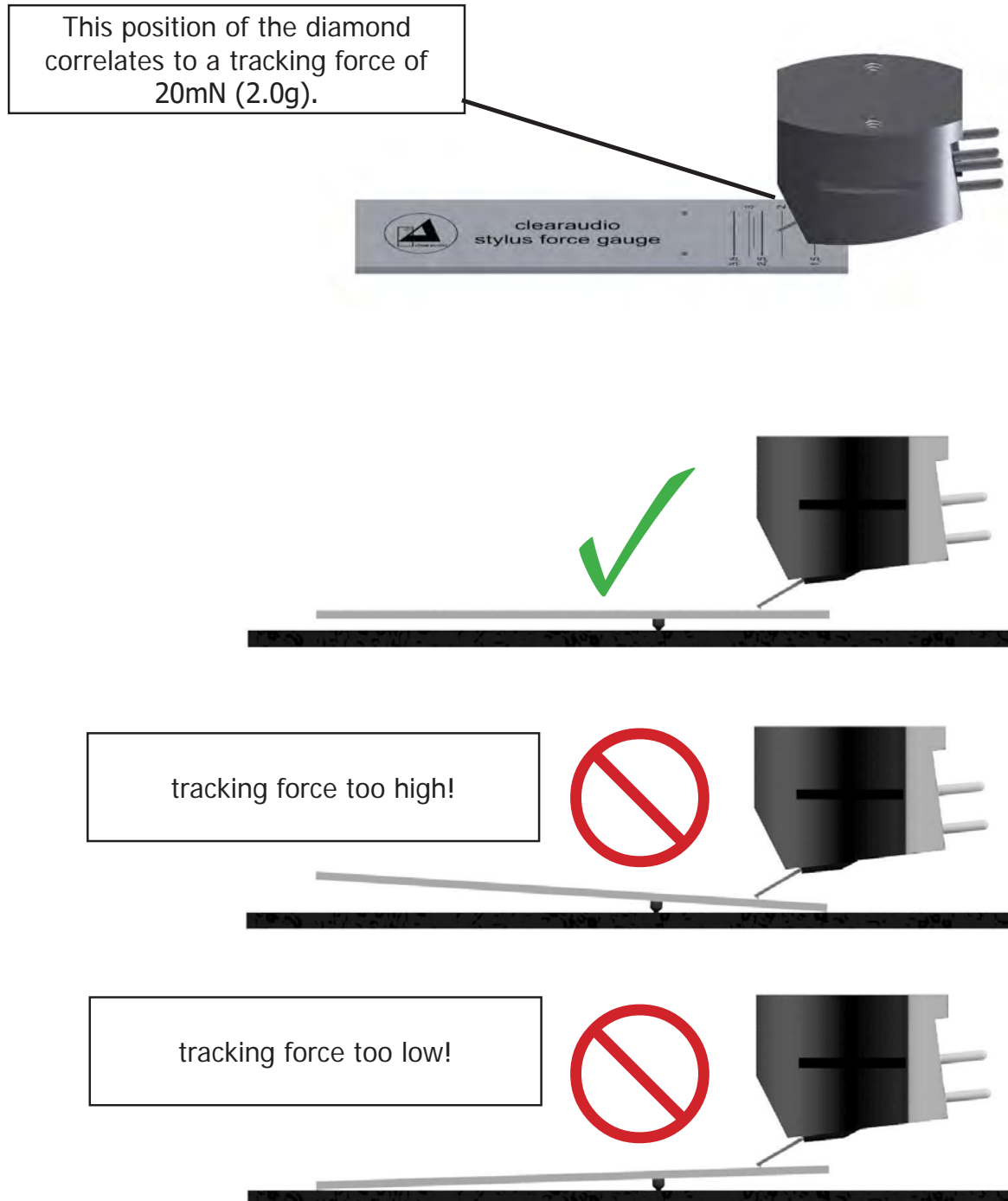
If the *Performance DC* turntable was purchased as a package together with the *Clarify* tonearm, please follow the below described installation of the tonearm.



**Pic. 10:** Rear view *Clarify* tonearm

1. Insert carefully first the cable and then the tonearm feet through the hole of the tonearm base.
2. Now adjust the tonearm height.
3. At the end secure the tonearm with the screws which are already integrated at the front of the mounting base.
4. For tonearm and cartridge mounting please refer to the user manual of the respective manufacturer.

If you purchased the **Clearaudio Performance DC** as package with tonearm and cartridge, you received also a Smart Stylus Gauge as accessories, which allows you to adjust the tracking force of the cartridge.



**Pic. 11:** Use of the Smart Stylus Gauge

Now you can connect the *Performance DC* turntable with the main supply.



Pic. 12: Connection to the main supply

## 2.9 Speed fine adjustment

As the motor adjustment is already pre-set at the factory, you don't have to check the speed before using the turntable for the first time.

If you want to check the speed of your turntable by yourself over the time, we recommend to use a Stroboscope Testrecord. To adjust the speed so perfectly and precisely as possible, we recommend the **Clearaudio** Stroboscope Testrecord (Art. No. AC038) and the **Clearaudio** "Speed Light" (Art. No. AC039, both available at [www.analogshop.de](http://www.analogshop.de)).

On the backside (close to the power supply input) of your turntable there are three setting trimmers:



- Left trimmer = setting 78rpm (near power supply jack)
- Middle trimmer = setting 45rpm
- Right trimmer = setting 33 1/3rpm

Pic. 13: Speed fine adjustment

### **Urgent:**

Don't use a metal screw driver. Only use screw driver made out of synthetic or ceramic material, to avoid circuit damage.

Now you are finally ready to play your vinyl records!

### **Attention:**

If the turntable is not in use, disconnect the unit completely from the power supply by removing the main plug from the socket.

We wish you a lot of pleasure with your new *Performance DC* turntable.

### 3. Troubleshooting

If you have a problem with your *Performance DC* turntable, first check the possible causes to rule out incorrect operation.

If the error persists, please contact your dealer!

**Never try to open the device and/or repair it yourself, this will void the warranty!**

Error	Cause	Measure
<b>Device does not work</b>	Is the power cord plugged in?	Check the connection.
<b>No sound</b>	The tonearm and phono stage are not properly connected.	Check the cable connection between the tonearm and the phono stage.
	Is the amp turned on?	Check the power supply to the amplifier.
	The volume on the amplifier/loudspeaker is set too low or on „mute“.	Check the volume settings.
	Is the cartridge protective cap still attached?	Remove the cartridge's protective cap.
	Is the tonearm in the raised position?	Lower the tonearm into the lead-in groove.
	Is the stylus damaged?	Check the stylus and have the cartridge checked by a specialist if necessary.
<b>Bad sound / noise</b>	Is the record or the stylus dirty or damaged?	Clean the record / or the cartridge. <b>Clearaudio</b> offers many helpful accessories for care and cleaning. In the event of damage, we recommend an assessment by a specialist and, if necessary, an exchange.
	Is the cartridge properly mounted into the tonearm?	Check the installation using the relevant user manual and correct them if necessary.
	Has the tracking force been set too high?	Adjust the tracking force.
	Is the correct operating mode (MM / MC) set on the amplifier?	Check the settings of your phono stage.
	The pre/amp does not have enough gain.	Check the settings of your phono stage.
	Pre/amp is mismatched.	Swap the plugs of the turntable that are connected to the left and right outputs.



<b>Needle bounces or slides across record</b>	Is the record or the stylus dirty or damaged?	Clean the record / or the cartridge. <b>Clearaudio</b> offers many helpful accessories for care and cleaning. In the event of damage, we recommend an assessment by a specialist and, if necessary, an exchange.
	Has the tracking force been set too high?	Adjust the tracking force.
	Is the record deformed or scratched?	Use a record clamp or replace the record.
	Is the turntable level?	Check the alignment of the turntable and adjust if necessary.
<b>Platter does not turn</b>	Is the drive belt properly attached?	Check the position of the drive belt.
	Is the power cord connected properly?	Check the connection.
	No speed was selected / speed selection in position „0“/“OFF“.	Select a speed and start the turntable.
<b>Noisy sound</b>	Is the drive belt properly attached?	Check the position of the drive belt. Is it too loose and needs to be changed?
<b>Humming noises</b>	Contact problems with the signal connections (e.g. cinch plugs, adapters for extensions)	Check all connections; reduce the level on the (pre-)amplifier to a low volume for acoustic checking of gross errors.
	Metal housing acts as an antenna and catches hum.	It can be helpful for conductivity to connect the metal parts of the turntable to the ground of the (phono) preamplifier. The turntable provides a grounding terminal for this purpose. Use a sufficiently thick wire to establish the ground connection.
	The pickup pins are mixed up, not connected correctly or defective.	Check the pin assignment of the pickup.
<b>The music doesn't sound like usual</b>	Wrong speed selected.	Check the record for recommended speed. There are also records in LP format (30 cm) that have to be played at 45 rpm ("maxi singles") and small records in single format (17 cm) that have to be played at 33 rpm (so-called "EP's").
	The turntable is spinning too fast/too slow.	Adjust the speed according to the operating instructions.

## 4. Technical Data

<b>Construction details:</b>	Resonance-optimised body, highly compressed wood chassis in sandwich construction embedded between two aluminium plates.
<b>Speed options:</b>	33 1/3, 45, 78rpm
<b>Drive unit:</b>	Decoupled and resonance damped 12V DC motor, flat belt-drive and plug-in power supply unit designed for worldwide use with all networks and power frequencies.
<b>Bearing:</b>	Cut and polished ceramic shaft in a sintered bronze bushing, <b>Clearaudio</b> ceramic magnetic bearing (CMB)
<b>Platter:</b>	Synthetic material, surface CNC-precision milled, Surface CNC-precision milled, 1.1 inches / 40mm thickness
<b>Speed accuracy (measured):</b>	± 0.05%
<b>Power consumption:</b>	Max. consumption: 3.3 watts Consumption in operation: 1.6 watts Standby mode: < 0.5 watts Off mode: 0.0 watts
<b>Total weight:</b>	Approx. 11.0kg
<b>Dimensions (W/D/H):</b>	Approx. 16.54 x 12.99 x 4.92 inches (without tonearm)
<b>Dimensions (W/D/H):</b>	Approx. 420 x 330 x 125mm (without tonearm)
<b>Manufacturer's warranty:</b>	5 years*

\* Provided that the warranty card is correctly completed and returned to **Clearaudio**, or your product is registered online at <https://clearaudio.de/en/service/registration.php>, within 14 days of purchase.





Loving music

## User manual

The full, extended warranty period for the *Performance DC* turntable is 5 years. To receive this full **Clearaudio** warranty, you must either complete and return the relevant section of the warranty registration card to **Clearaudio**, or register your product online at <https://clearaudio.de/en/service/registration.php>, within 14 days of purchase. Otherwise only the legal warranty can be considered. The full 5 year warranty can only be honoured if the product is returned in its original packing.



### ENGLISH

#### WARRANTY

For warranty information, contact your local **Clearaudio** distributor.

#### RETAIN YOUR PURCHASE RECEIPT

Your purchase receipt is your permanent record of a valuable purchase. It should be kept in a safe place to be referred to as necessary for insurance purposes or when corresponding with **Clearaudio**.

#### IMPORTANT

When seeking warranty service, it is the responsibility of the consumer to establish proof and date of purchase. Your purchase receipt or invoice is adequate for such proof.

FOR U.K. ONLY

This undertaking is in addition to a consumer's statutory rights and does not affect those rights in any way.



### FRANÇAIS

#### GARANTIE

Pour des informations sur la garantie, contacter le distributeur local **Clearaudio**.

#### CONSERVER L'ATTESTATION D'ACHAT

L'attestation d'achat est la preuve permanente d'un achat de valeur. La conserver en lieu sûr pour s'y reporter aux fins d'obtention d'une couverture d'assurance ou dans le cadre de correspondances avec **Clearaudio**.

#### IMPORTANT

Pour l'obtention d'un service couvert par la garantie, il incombe au client d'établir la preuve de l'achat et d'en corroborer la date. Le reçu ou la facture constituent des preuves suffisantes.



### DEUTSCH

#### GARANTIE

Bei Garantiefragen wenden Sie sich bitte zunächst an Ihren **Clearaudio** Händler. Heben Sie Ihren Kaufbeleg gut auf.

#### WICHTIG!

Die Angaben auf Ihrer Quittung erlauben uns die Identifizierung Ihres Gerätes und belegen mit dem Kaufdatum die Dauer Ihrer Garantie-Ansprüche. Für Serviceleistungen benötigen wir stets die Gerätenummer. Diese finden Sie auf dem Typenschild auf der Rückseite des Gerätes oder auch in der beigefügten Garantie-Registrierkarte.



### NEDERLANDS

#### GARANTIE

Voor inlichtingen omtrent garantie dient u zich tot uw plaatselijke **Clearaudio**.

#### UW KWITANTIE, KASSABON E.D. BEWAREN

Uw kwitantie, kassabon e.d. vormen uw bewijs van aankoop van een waardevol artikel en dienen op een veilige plaats bewaard te worden voor evt. verwijzing bijv. in verbond met verzekering of bij correspondentie met **Clearaudio**.

#### BELANGRIJK

Bij een evt. beroep op de garantie is het de verantwoordelijkheid van de consument een gedateerd bewijs van aankoop te tonen. Uw kassabon of factuur zijn voldoende bewijs.



## ITALIANO

### **GARANZIA**

L'apparecchio è coperto da una garanzia di buon funzionamento della durata di un anno, o del periodo previsto dalla legge, a partire dalla data di acquisto comprovata da un documento attestante il nominativo del Rivenditore e la data di vendita. La garanzia sarà prestata con la sostituzione o la riparazione gratuita delle parti difettose. Non sono coperti da garanzia difetti derivanti da uso improprio, errata installazione, manutenzione effettuata da personale non autorizzato o, comunque, da circostanze che non possano riferirsi a difetti di funzionamento dell'apparecchio. Sono inoltre esclusi dalla garanzia gli interventi inerenti l'installazione e l'allacciamento agli impianti di alimentazione.

Gli apparecchi verranno riparati presso i nostri Centri di Assistenza Autorizzati. Le spese ed i rischi di trasporto sono a carico del cliente. La casa costruttrice declina ogni responsabilità per danni diretti o indiretti provocati dalla inosservanza delle prescrizioni di installazione, uso e manutenzione dettagliate nel presente manuale o per guasti dovuti ad uso continuato a fini professionali.



## ESPAÑOL

### **GARANTIA**

Para obtener información acerca de la garantía póngase en contacto con su distribuidor **Clearaudio**.

### **GUARDE SU RECIBO DE COMPRA**

Su recibo de compra es su prueba permanente de haber adquirido un aparato de valor, Este recibo deberá guardarlo en un lugar seguro y utilizarlo como referencia cuando tenga que hacer uso del seguro o se ponga en contacto con **Clearaudio**.

### **IMPORTANTE**

Cuando solicite el servicio otorgado por la garantía el usuario tiene la responsabilidad de demostrar cuándo efectuó la compra. En este caso, su recibo de compra será la prueba apropiada.



Loving music



Loving music

### **clearaudio electronic GmbH**

Spardorfer Straße 150  
91054 Erlangen  
Germany

Phone /Tel.: +49 9131 40300 100

Fax: +49 9131 40300 119

[www.clearaudio.de](http://www.clearaudio.de)

[www.analogshop.de](http://www.analogshop.de)

[info@clearaudio.de](mailto:info@clearaudio.de)



### **Handmade in Germany**

**Clearaudio Electronic** accepts no liability for any misprints.

Technical specifications are subject to change or improvement without prior notice.

Product availability is as long as astock lasts.

Copies and reprints of this document, including extracts, require written consent from

**Clearaudio Electronic GmbH, Germany.**

**2024**