

(華) HANA Moving Coil Phono Cartridges S Series MK II Owner's Manual

Thank you very much for purchasing a HANA MC cartridge!
HANA cartridges are competitively priced, but with high quality sound reproduction, and ease of use and setup. In particular, the HANA SH MK II with 2mV output, can be directly connectible to MM Phono input, providing you with high quality MC sound.

■ Products line

HANA-SH: High Output/Shibata Stylus to be connect direct to MM phono stage
 HANA-SL: Low Output/Shibata Stylus to be connected to MC phono stage or step-up device.
 HANA-SL MONO MK II to be connected to MC phono Stage or step-up device.

■ Product feature

HANA S Series MK II cartridges use high rigidity tapered cantilevers, and cross-shaped armatures, providing you with brilliant and gorgeous sound ("brilliant and gorgeous" are the original Japanese meaning of "華"). Hana S Series MK II use nude natural diamond Shibata-stylus, capable of excellent high frequency response, giving you supreme transparency and excellent trackability.

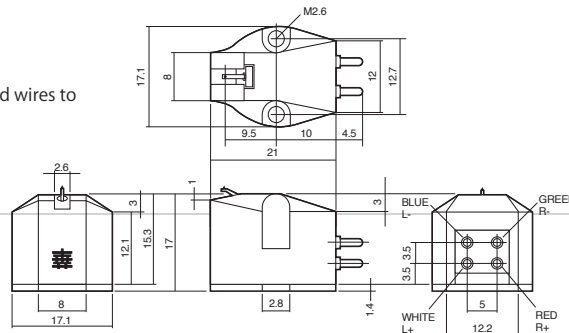
■ Installation

● Connecting with Headshell

Fix HANA to your headshell with supplied screws. Pay careful attention that the cartridge is not twisted or angled when attaching it to the headshell. Make sure that there is no foreign object between the body and the headshell or tonearm for best sound. Make sure the top of the cartridge is flat to the headshell or tonearm. If the cartridge is not flat, it will be difficult to achieve correct azimuth and zenith. Make sure that the body of the cartridge is parallel to the edge of the headshell to assure correct offset angle and geometry. Finger tighten very firmly, but do not use excess force that might strip the screws or distort the body of the cartridge.

Connecting headshell lead wires to each HANA terminal pin.

Red : Right positive (+)
 Green : Right negative (-)
 White : Left positive (+)
 Blue : Left negative (-)



● VTF (Vertical Tracking Force) setting:

Nominal tracking force is 2g for all HANA MC models.

(Note: Increase VTF value slightly, if room temperature is below 20 degrees Centigrade, or 68 degrees Fahrenheit; also, the cartridge will warm up after playing music for a few minutes, increasing compliance slightly, due to the kinetic energy of the disk)

■ Caution

- Be sure not to damage vulnerable cantilever or stylus when connecting with headshell.
- Never solder headshell lead wires directly to HANA terminal pins, which might break inner cartridge moving coil wires.
- Do not put any unnecessary pressure on cantilever stylus by fingers, which is carefully tuned at the factory. Unusual pressure will cause moving coil cartridges to loose their factory set compliance.
- To clean the stylus, use the included small brush. Gently move the brush from back to front (moving from cantilever base, to stylus tip) to remove dust or debris, built up during playback.

■ Warranty

The manufacturer's warranty will apply to normal usage and operation for 2 years after shipping date from the manufacturer. However, the warranty does not apply to any damage by abuse. This is to be determined by manufacturer for warranty eligibility. The warranty covers defects in materials and craftsmanship, but not abuse. Please handle your cartridge carefully. Do not use excess force when installing or cleaning your cartridge. If you are unsure, please ask your dealer for assistance.

If you accidentally damage your cartridge, the manufacturer does offer a generous retip plan. This also applies to cartridges that are out of the warranty period.

華 Hana Moving Coil Cartridges Specification

| Model No. | HANA-SH MK II | HANA-SL MK II |
|--------------------------|----------------------|----------------------|
| Stylus | Nude Diamond Shibata | Nude Diamond Shibata |
| Cantilever | Tapered Aluminum | Tapered Aluminum |
| Output level | 2mV/1kHz | 0.4mV/1KHz |
| Output balance | <1.5dB/1KHz | <1.5dB/1KHz |
| Vertical Tracking force | 2gr | 2gr |
| Trackability | 70 μm/2gr | 70 μm/2gr |
| Channel separation | 28dB/1KHz | 28dB/1KHz |
| Frequency response | 15-32,000Hz | 15-32,000Hz |
| Impedance | 130Ω/1KHz | 8Ω/1KHz |
| Suggested load Impedance | 47KΩ | ≥80Ω |
| Cartridge weight | 8.6gr | 8.6gr |
| Body Color | Black | Black |