



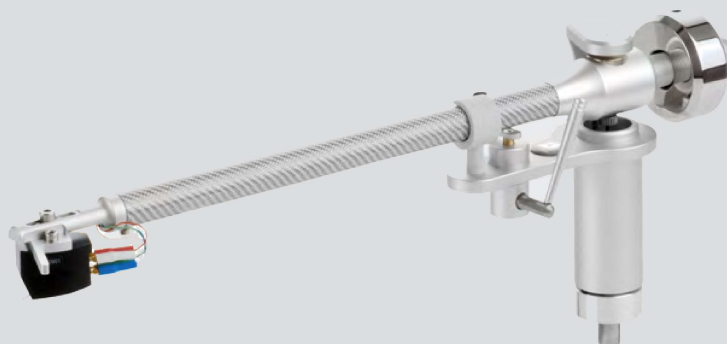
Loving music

# concept / Verify

**User manual**  
**Bedienungsanleitung**



**Pic. similar /**  
**Abb. ähnlich**



**Pic. similar /**  
**Abb. ähnlich**



**User manual ..... 2 - 17**



**Bedienungsanleitung ..... 18 - 23**

Dear **Clearaudio** customer,

Thank you for purchasing the **Clearaudio** *concept / Verify* radial tonearm.

The innovative *concept / Verify* tonearm is using a friction free magnetic bearing technology and is designed to allow a very comfortable and easy set up.

Highest demands and Made in Germany, combined with technology and a timeless design enable the best possible sound enjoyment.

Please read this instruction manual carefully to avoid any damages or loss of warranty. This manual will help you for an easy setup and guarantees the highest pleasure for a long time.

We wish you a lot of enjoyment with your new **Clearaudio** *concept / Verify* tonearm.

**Clearaudio electronic GmbH**



## Safety instructions

### 1. General information

Check the tonearm for any damage before using it. Do not connect the tonearm if damaged!

Never connect the tonearm if it has been dropped or gotten wet, contact your dealer to have the tonearm checked.

Never expose the tonearm to rain or moisture.

The inside of the tonearm is maintenance free. Never open the case or attempt to repair the unit yourself, since this can lead to loss of warranty!

Before using the tonearm for the first time or after a long period of inactivity the lift must be operated approx. 4-5 times to loosen the grease in the tonearm lift to lower the lift bar evenly again.

### 2. Intended use

The *concept / Verify* is a tonearm for playing music and is intended exclusively for use on turntables.

Only use the *concept / Verify* tonearm in accordance with the information provided in the user manual.

### 3. Location of installation

Avoid locations with direct sunlight, temperature fluctuations and high humidity. Likewise, avoid placing electronic devices near heaters, heat lamps, or other devices that produce heat.

The device is designed for operation at room temperature.

No objects with an open flame may be placed on or near the device (burning candles or similar).

### 4. Maintenance

We recommend that you move the tonearm lift at regular intervals to keep the bearing grease supple and to prevent the tonearm from getting stuck during playback if you do not use your **Clearaudio** tonearm for a longer period.

Never use aggressive cleaning agents.

Do not use dry cloths for cleaning as this generates static electricity. Suitable cleaning and care products from **Clearaudio** are available at [www.analogshop.de](http://www.analogshop.de) or from specialist retailers.

Only use a soft cloth with a smooth surface or a soft brush for cleaning.

## 5. Health information

Permanently high volume can lead to various types of hearing damage. Use high volume responsibly!

## 6. Service

The *concept / Verify* tonearm should be repaired during the guarantee period by the manufacturer only, otherwise the warranty claim expires. All **Clearaudio** products should only be serviced by specialist retailer.

If, despite the high production standard, a service is necessary, the *concept / Verify* tonearm must be send to **Clearaudio** through your dealer.

## 7. Transport

Use the original packing material for further transportation of the *concept / Verify* tonearm, otherwise serious damage could occur.

Be sure to pack the device exactly as it was shipped.  
Safe transport is only guaranteed in the original packaging.

Proceed in reverse as described for assembly when packing.

## 8. Disposal



Do not dispose this product together with other waste.  
WEEE Reg. No.: DE26004446

## 9. CE Marking



This electronic product corresponds to the applicable guidelines for obtaining the CE mark.



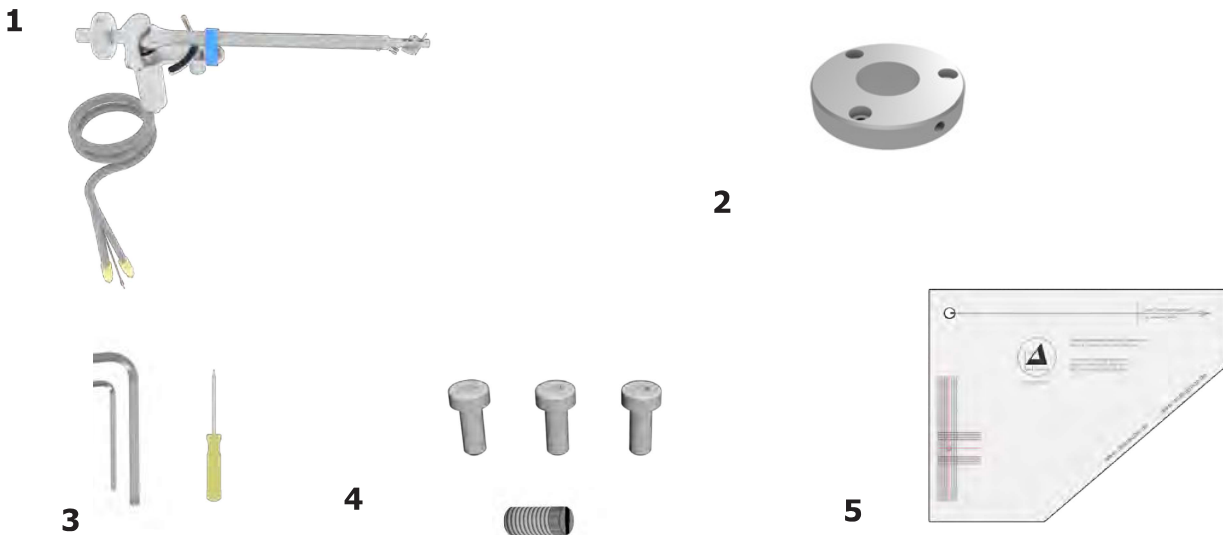
## Contents

<b>1. List of components .....</b>	<b>6</b>
<b>2. Mounting the tonearm base</b>	
2.1 Mounting the tonearm base on the Clearaudio Performance DC or Ovation turntable .....	7
2.2 Mounting the clamping ring on another manufacturers' turntables.....	8
<b>3. Mounting the <i>concept / Verify</i> tonearm.....</b>	<b>9</b>
<b>4. Adjustment of the distance between spindle and pivot point .....</b>	<b>10</b>
<b>5. Adjustment of the tonearm</b>	
5.1 Adjustment of the VTA .....	11
5.2 Alignment and adjustment of the cartridge.....	12
5.3 Adjustment of the tracking force.....	13
5.4 Adjustment of the azimuth.....	14
5.5 Adjustment of the anti-skating .....	15
<b>6. Troubleshooting .....</b>	<b>16</b>
<b>7. Technical data .....</b>	<b>17</b>
<b>Warranty information.....</b>	<b>34 - 35</b>

## 1. List of components

The **Clearaudio** *concept / Verify* tonearm is delivered in a customized packing to ensure its safe transport. Please retain the original packaging for any future transportation and shipping.

Please see the list below to check the contents of your **Clearaudio** *concept / Verify* tonearm.



**Pic. 1:** List of components

<b>1.</b>	<i>concept / Verify</i> tonearm	<b>5.</b>	Tonearm alignment gauge
<b>2.</b>	Clamping base	<b>6.</b>	Without picture: Additional counterweight: 35.75 g - flat head screw M3 x 8
<b>3.</b>	Hex wrench (#2 /3) Screw driver	<b>7.</b>	Without picture: Warranty card, <b>Clearaudio</b> Quality Card, user manual, return delivery note
<b>4.</b>	Screws: - 3x hex screws M4 x 10 (stainless steel) - 1x grub screw M6 x 8 (stainless steel)		

### Recommended Tools:

- **Clearaudio** Cartridge alignment gauge (Art. No. AC005/IEC)
- **Clearaudio** Weight Watcher touch (Art. No. AC163)
- **Clearaudio** Mini Level Gauge (Art. No. AK001)

This items and more accessories are available through your dealer or at [www.analogshop.de](http://www.analogshop.de).

## 2. Mounting the tonearm base

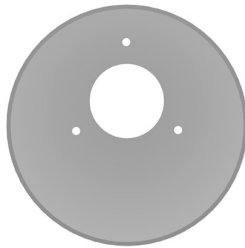
### 2.1 Mounting the tonearm base on the Clearaudio Performance DC or Ovation turntable

Please check if the correct tonearm base is mounted on your turntable (Pic. 2).

If the wrong tonearm base is mounted place the turntable on the edge of a table or similar surface to gain access to the tonearm base from below.

Remove the tonearm base by loosening the six M4 x 35mm screws with a hex wrench on the bottom side of the clamping ring.

Exchange the tonearm base and loosely tighten the screws to keep the tonearm base rotatable. Please ensure the perfect location of the base.



**Pic. 2:** Tonearm base for concept & Performance DC & Ovation  
(Art. No. AC031-4)

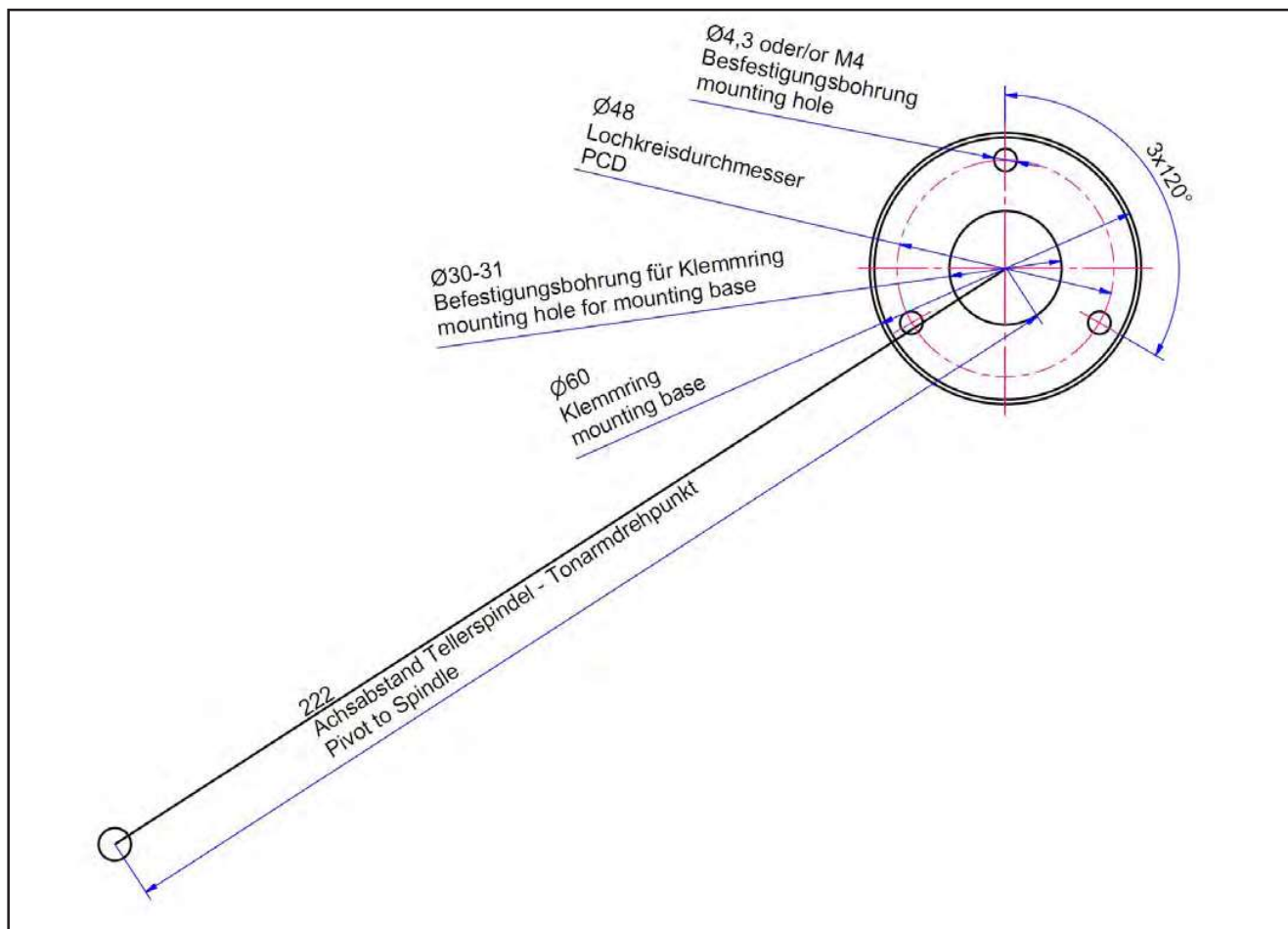
## 2.2 Mounting the clamping ring on another manufacturers' turntables

Drill three holes into the turntable chassis to mount the aluminium clamping ring.

Use the measurements given in the drawing template below to ensure the correct position of the three holes (Pic. 3).

Use a 3.3mm drill for this step. After you have drilled the three holes, thread the holes using an appropriate tap cutter. If the material of the turntable chassis is not suitable for threading, please use a 4.5mm drill for the holes. In this case, you will need longer screws with nuts to fit the tonearm base.

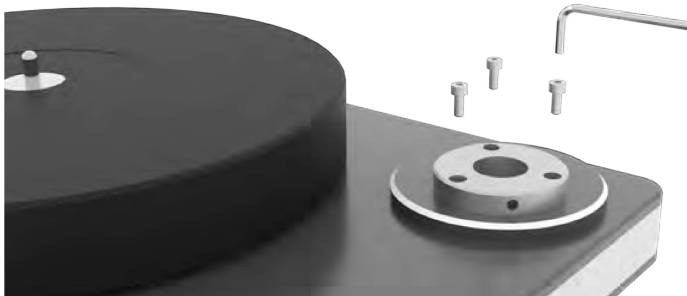
**Please note that this image is not true to scale.**



**Pic. 3:** Drilling template for mounting the tonearm base on a other manufacturers' turntable



### 3. Mounting the *concept* / *Verify* tonearm

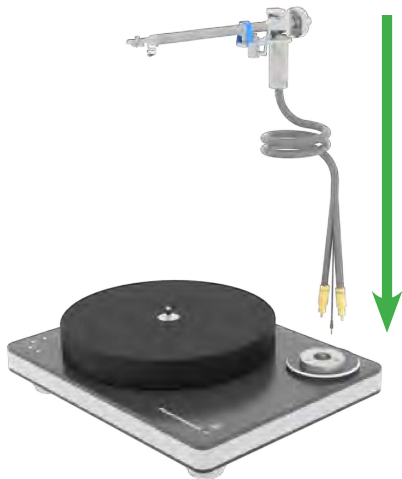


**Pic. 4:** Assembling the clamping base

Take the clamping ring and place it on the recess in the tonearm base.

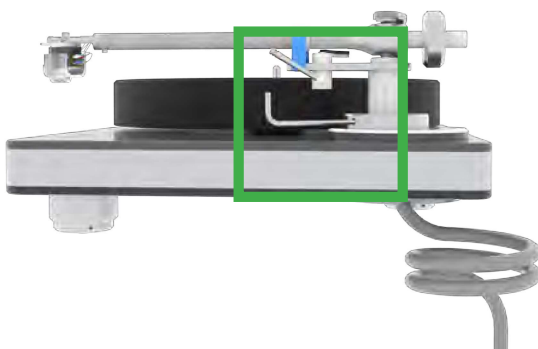
Now you can attach the clamping ring to the tonearm base with the 3 supplied M4 x 10 screws.

Make sure that the side hole of the clamping ring remains accessible (see Pic. 4).



**Pic. 5:** Mounting the tonearm

First insert the tonearm cable and then the tonearm foot of the *concept* / *Verify* tonearm into the hole of the clamping ring (Pic. 5).



**Pic. 6:** Locking the tonearm

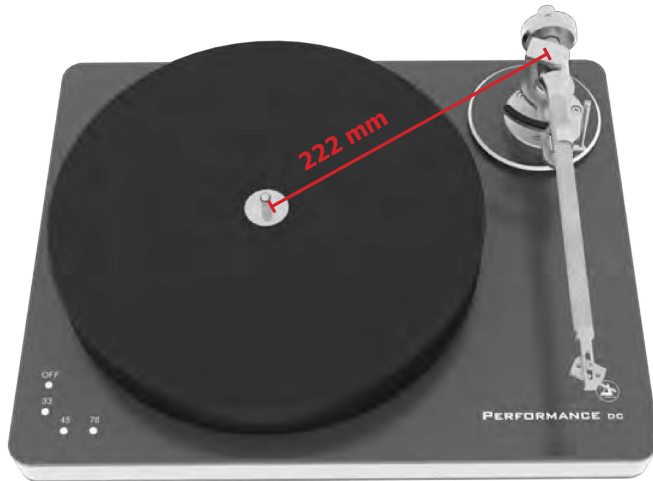
Now fix the tonearm with the screws and the hex wrench. Do not over-tighten for later adjustments (Pic. 6)!

## 4. Adjustment of the distance between spindle and pivot point

We recommend to use the **Clearaudio** alignment gauge (Art. No. AC005/IEC, also available from [www.analogshop.de](http://www.analogshop.de)) for the exact setting of the tonearm pivot point.

Make sure that the distance between spindle and the pivot point of the tonearm is exactly 222mm. You can adjust the distance by rotating the tonearm base.

Please tighten the tonearm base and check the measurement again after adjustment.



**Pic. 7:** Distance from pivot to stylus

## 5. Adjustment of the tonearm

The following settings require to mount the cartridge on the headshell. Always follow the cartridge manufacturer's instructions.

**Leave the stylus protector on your cartridge to avoid any damages!**



Now you can connect the respective signal cable with the matching color pins of the cartridge.

Please note the following colour coding:

- Red:** right channel / R+
- Green:** right channel / R-
- White:** left channel / L+
- Blue:** left channel / L-

Connect the pins of your cartridge to the jacks of the headshell or tonearm cable, taking care not to use too much force.

Use suitable precision pliers or tweezers for assistance if necessary.

**Pic. 8:** Cartridge mounting

## 5.1 Adjustment of the VTA

The tonearm remains loose in the clamping ring and is not screwed tight. Now place a record or the **Clearaudio** alignment gauge (Art. No. AC005/IEC) on the turntable and remove the stylus protector from your cartridge.

Make sure the tracking force is roughly adjusted to avoid damage to the cartridge.

**Please be extremely careful during the following steps!  
Never move the cartridge in the alignment gauge while it is lowered.**

Use the lift to lower the tonearm and check if the tonearm tube is parallel to the platter.

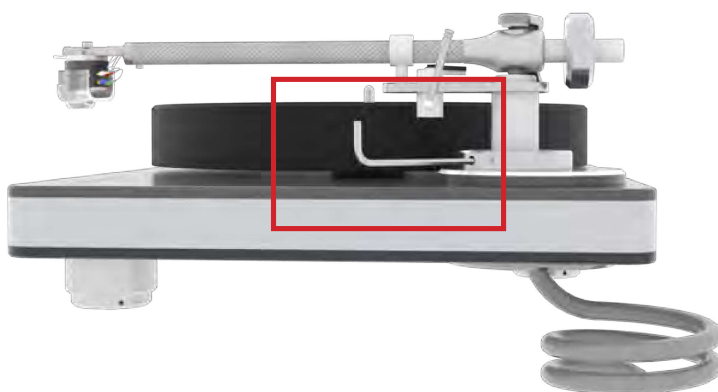
The tonearm tube should not touch the lift bracket, but the needle must rest on the record or the alignment gauge.

Put the tonearm tube back in the rest position if the tonearm tube is not parallel and shows a slight incline.

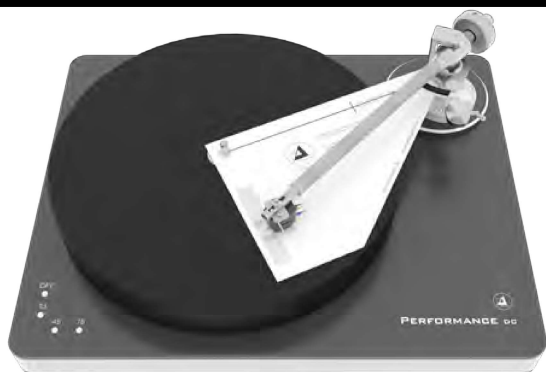
Now carefully lower/raise the entire tonearm in the clamping ring until the tonearm tube is parallel to the platter.

Hand-tighten the clamping ring while the tonearm is in this position.

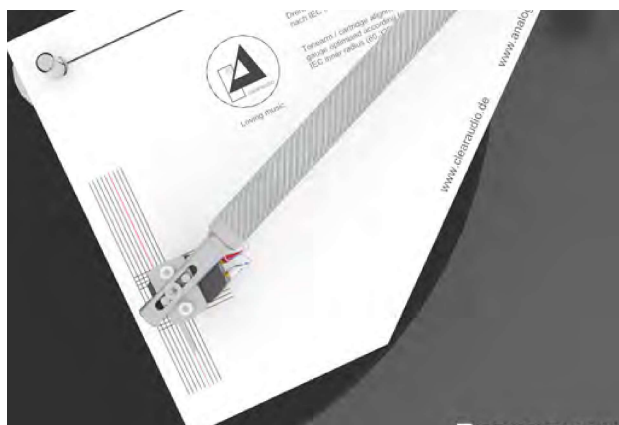
Put the tonearm back in the rest position holder and add the stylus protector if the position is still correct.



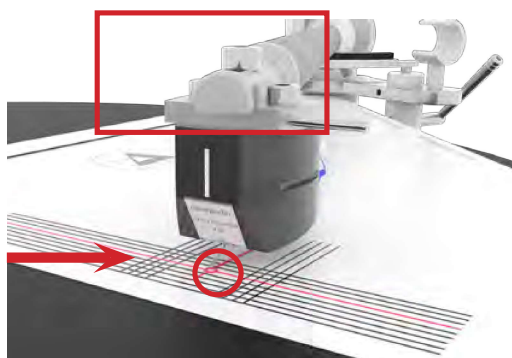
**Pic. 9:** Fixing the tonearm height



**Pic. 10:** Alignment of the tonearm



**Pic. 11:** The tonearm tube must be absolutely parallel



**Pic. 12:** Stylus tip on reference point

## 5.2 Alignment and adjustment of the cartridge

Use the adjustment template, included in the scope of the delivery for the final tonearm and cartridge adjustment.

Place it directly on the turntable (without record) and align it with the arrow pointing toward the tonearm pivot point (Pic. 10).

Take the tonearm out of the rest position and align it in the area of the cross lines. Lower the tonearm and check the alignment.

The cartridge body must be aligned in the template grid and the needle tip should be located in the cross lines.

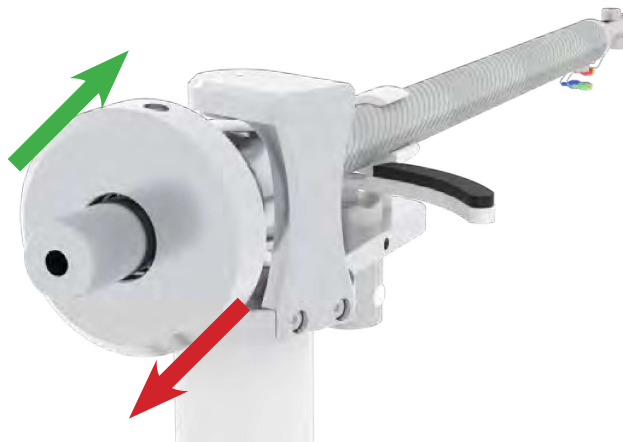
Also, the side and front edges of the housing have to be parallel to the grid lines. To correct the adjustment, loosen the screws of the cartridge to move the cartridge in the headshell.

Re-check the setting again after you have tightened the screws.

### 5.3 Adjustment of the tracking force

Turn the counter weight at the end of the tonearm to increase or lower the tracking force.

**Caution:** Please hold the tonearm tube while rotating the counterweight to avoid any damages.



**Pic. 13:** Adjustment of the tracking force

**Red arrow (to the end of the tonearm)  
= lower tracking force -> turn the counter weight anti-clockwise (left)**

**Green arrow (to the beginning of the tonearm)  
= more tracking force -> turn the count weight clockwise (right)**

Please follow the instructions of the respective cartridge manufacturer.

We recommend using the **Clearaudio** „Weight Watcher touch“ digital cartridge scale (Art. No. AC163, also available at [www.analogshop.de](http://www.analogshop.de)) for the correct setting.

## 5.4 Adjustment of the azimuth

The azimuth is the angle of the cartridge stylus to the record surface. Viewed from the front, the cartridge needle has to be vertical to the record.

**Please note: The azimuth is already set at the factory.**

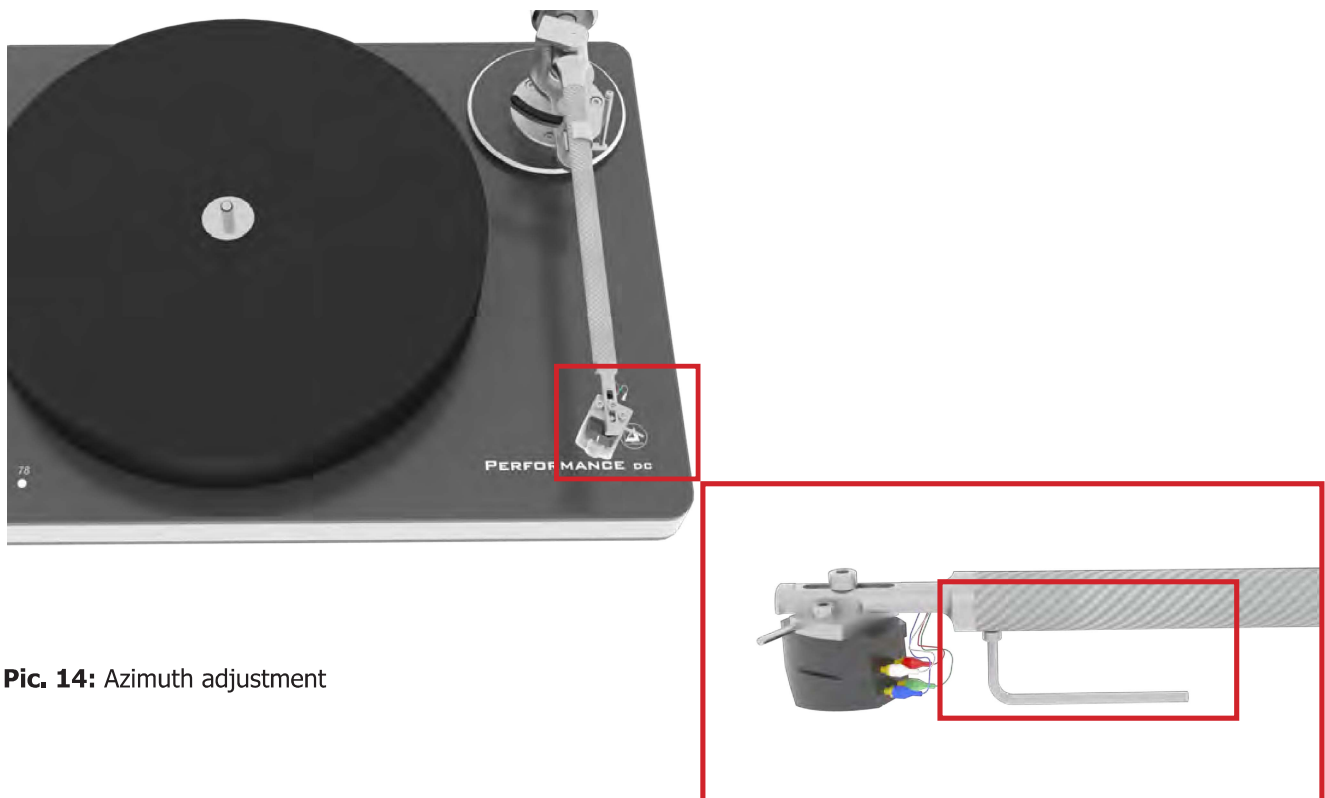
Lower the cartridge onto the record surface and check the position of the needle if you still want to optimize the azimuth.

Please proceed as following to change the azimuth:

Loosen the screw (hex wrench #2) on the bottom side of the tonearm tube near the headshell. Now you can adjust the azimuth by turning the headshell in the tonearm tube.

Carefully tighten the small hex screw again without changing the previously selected position.

We recommend the "Mini Level Gauge" from **Clearaudio** (Art.No.: AK001; also available from [www.analogshop.de](http://www.analogshop.de)) to check the adjustment.

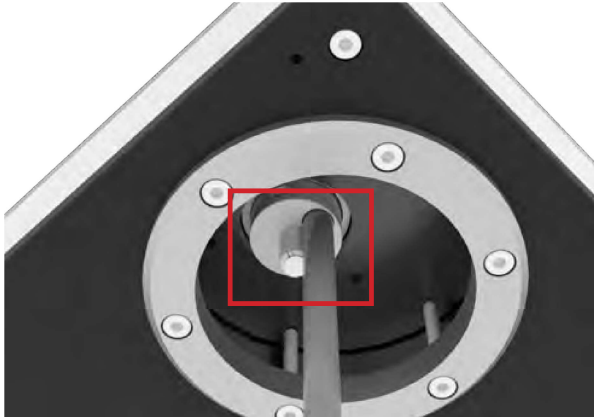


**Pic. 14:** Azimuth adjustment

## 5.5 Adjustment of the anti-skating

The anti-skating is already preset by **Clearaudio**.

Use the adjusting screw on the underside of the tonearm to adjust the anti-skating. This setting is marked with a line on your tonearm (viewed from below).



**Pic. 15:** Adjustment of the anti-skating

You can change the anti-skating as follows:

**Turn clockwise (max. 5 turns)**

**= stronger anti-skating**

**Turn counterclockwise (max. 5 turns)**

**= weaker anti-skating**

We recommend the **Clearaudio** Trackability Test Record available from [www.analogshop.de](http://www.analogshop.de) or from your specialist retailer for a professional and perfect anti-skating setting.

### **The tonearm adjustment is now complete.**

We recommend to re-check all settings again and correct them if necessary before connecting the tonearm to your phono pre-amplifier.

We hope you enjoy your new *concept / Verify* tonearm.  
Your **Clearaudio** team

## 6. Troubleshooting

First check the possible causes to rule out incorrect operation if you have a problem with your *concept / Verify* tonearm.

Please contact your dealer if the error persists!

**Never try to open the unit and/or repair it yourself, this will void the warranty!**

Error	Cause	Measure
<b>Needle bounces or slides across record</b>	Is the record or the stylus dirty or damaged?	Clean the record / or the cartridge. <b>Clearaudio</b> offers many helpful accessories for care and cleaning. In the event of damage, we recommend an assessment by a specialist and, if necessary, an exchange.
	Has the tracking force been set too high?	Adjust the tracking force. Use only a suitable gauge! For example <b>Clearaudio</b> „Weight Watcher touch“ or „Smart Stylus Gauge“.
	Is the record deformed or scratched?	Use a record clamp or replace the record.
	Is the turntable leveled?	Check the alignment of the turntable and adjust if necessary.
<b>Tonearm lift does not lower or lowers very slowly</b>	The tonearm has not been used for a long time, which means that the greas in the tonearm lift can harden and lower with difficulty.	Operate the lift about 4-5 times to loosen the grease in the tonearm lift and the lift bar will lower evenly again.





## 7. Technical data

<b>Construction details:</b>	Radial tonearm, with friction free magnetic bearing technology.
<b>Material:</b>	Aluminium (silver), tonearm tube made of black aluminium ( <i>concept</i> ) or silver carbon ( <i>Verify</i> ).
<b>Cartridge balance range:</b>	2.5g - 17.0g
<b>Overhang:</b>	17.56mm
<b>Total length:</b>	305.00mm
<b>Effective length:</b>	239.56mm
<b>Mounting distance (tonearm pivot to spindle):</b>	222.00mm
<b>Offset angle:</b>	24.16°
<b>Wiring:</b>	1.1m <b>Clearaudio</b> Direct Wire PLUS terminated with RCA.
<b>Weight:</b>	<i>concept</i> : approx. 450g (incl. counterweight) <i>Verify</i> : approx. 440g (incl. counterweight)
<b>Manufacturer's warranty:</b>	2 years*

\* Provided that the warranty card is correctly completed and returned to **Clearaudio**, or your product is registered online at <https://clearaudio.de/en/service/registration.php>, within 14 days of purchase.